

MP7600

6GHz RF RECORDER & PLAYER

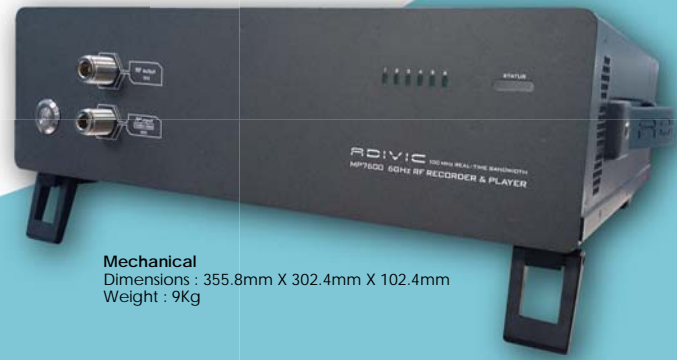
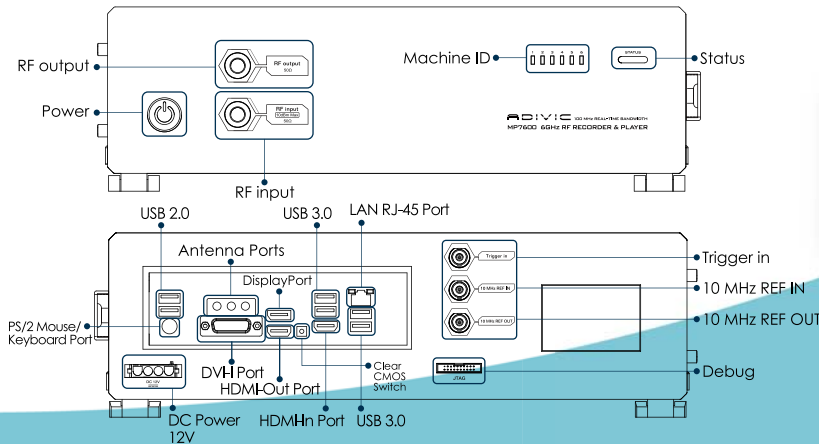
PRODUCT BROCHURE

ADIVIC
— RF TEST & MEASUREMENT —



MP7600 Features

- Adjustable instantaneous bandwidth 1 MHz to 100 MHz
- Frequency coverage from 300 KHz to 6.0 GHz
- 250 MSPS ADC sampling rate
- 16-Bit ADC/DAC resolution, 96 dB dynamic range
- Smart AGC to extend usable dynamic range > 150dB
- High linearity to accommodate strong & weak signal
- 1PPS, IRIG-B support (Optional)
- Additional traces for maximum/minimum holds
- 20+ markers for easy signal identification
- Data formats compatible to MATLAB
- Software utility support including I/Q data extractor and File segment
- Matrix System supports 7 units max. in parallel (Optional)
- 4 X 2.5"SSD internal drive bays (4 X 480 GB by default, 4 X 1 TB upgradable)



Mechanical
Dimensions : 355.8mm X 302.4mm X 102.4mm
Weight : 9Kg

RF Signal Analyzer Specifications

Parameter	Specifications
Input Frequency Range	300KHz ~ 6000MHz
Real - time bandwidth	50MHz@300KHz ~ 50MHz 20MHz@ Fc: >50 ~100MHz 40MHz@ Fc: >100 ~400MHz 100MHz@ Fc: >400MHz and above
Frequency resolution	10Hz/step minimum
Resolution Bandwidth(RBW)	500Hz to 5MHz
Max input power	+20dBm peak · +10dBm average
Input noise density	<-160dBm/Hz
Input power accuracy @(+20 to -75 dBm)	<+/-1.0dB @ <=3GHz <+/-1.5dB @ >3GHz
Phase Noise	Phase noise <-100dBc @ 1KHz offset @2.4GHz Phase noise <-95dBc @ 1KHz offset @5.8GHz
LO Leakage *	<-50dBc
Sideband image*	<-50dBc
Third order input inter -modulation distortion(IMD3)	<-70dBc@ -10dBm (-13dBm two tone) ,
Input Return loss	<-10dB
ADC resolution	16 Bits
Sample rate	250MS/s
Initial achievable accuracy	+/-50 ppb maximum (OCXO) @25C, after 60 minutes warm up
Temperature stability	+/-20 ppb maximum (OCXO) @0 C ~ 40 C,
Aging	+/-1 ppb maximum (OCXO) per day +/-100 ppb maximum (OCXO) per year
Operating Temperature	0 C to 40 C
Warm-up time	>30 minute

* Test condition @ after calibration, AGC, ADC input Ref(-15), CW Signal dBc= Input signal level – LO or Sideband Image level

RF Signal Generator Specification

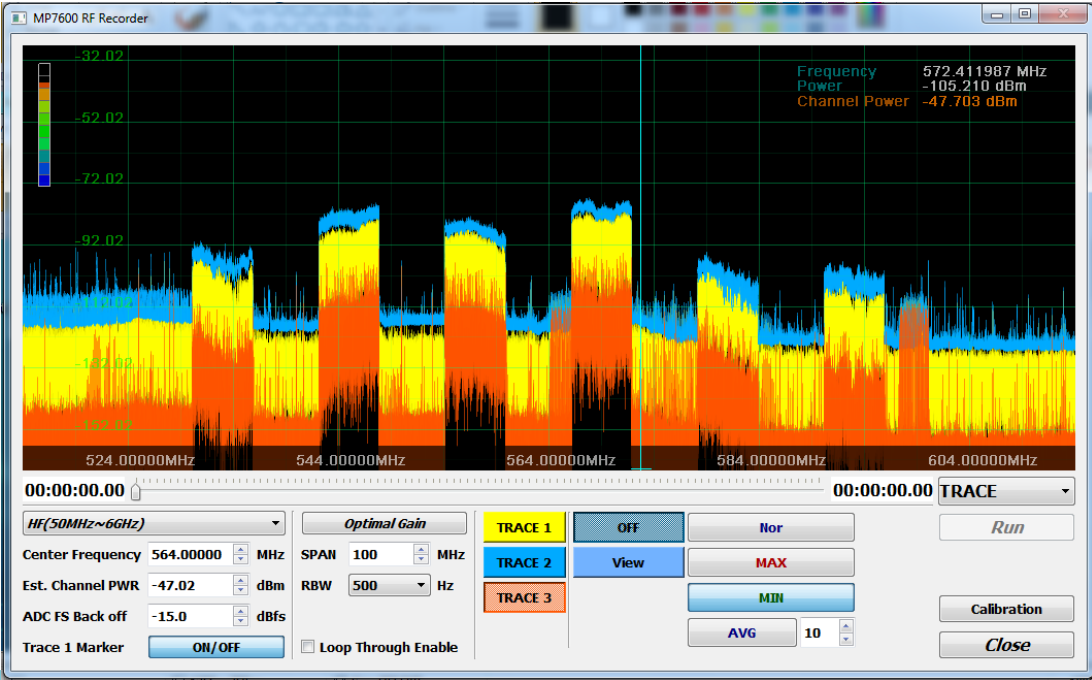
Parameter	Specifications
Input Frequency Range	300KHz~6000MHz
Real time bandwidth	50MHz@300KHz ~ 50MHz 20MHz@ Fc: >50 ~100MHz 40MHz@ Fc: >100 ~400MHz 100MHz@ Fc: >400 and above
Frequency resolution	10Hz step minimum
Max Output power@ CW	0dBm
Output noise density	<-160dBm/Hz
Power Accuracy@(0 to -95 dBm)	+/-1.0dB @ -100dBm ~0dBm +/-2.0dB @ <-100dBm
Phase Noise	Phase noise <-100dBc: 1KHz offset @2.4GHz Phase noise <-95dBc: 1KHz offset @5.8GHz
LO leakage*	<-50dBc
sideband image*	<-50dBc
Third order input inter-modulation distortion(IMD3)	<-60dBc@-10dBm (two -13dBm Tone)
Output Return loss	<-10dB
DAC resolution	16 Bits
Sample rate	1000MS/s
Initial achievable accuracy	+/-50 ppb maximum (OCXO) @25C, after 60 minutes warm up
Temperature stability	+/-20 ppb maximum(OCXO) @0 C ~ 50 C range, referenced to 25 C
Aging@range, referenced to 25 C	+/-1 ppb maximum(OCXO) @ by day +/-100 ppb maximum(OCXO) & by year
Operating Temperature	0 C to 40 C
Warm-up time	>30 minute

*Test condition @ after calibration, AGC, ADC input Ref(-15), CW Signal dBc= Output signal level – LO or Sideband Image level



Max & Min Hold

To inspect RF signal dynamic range

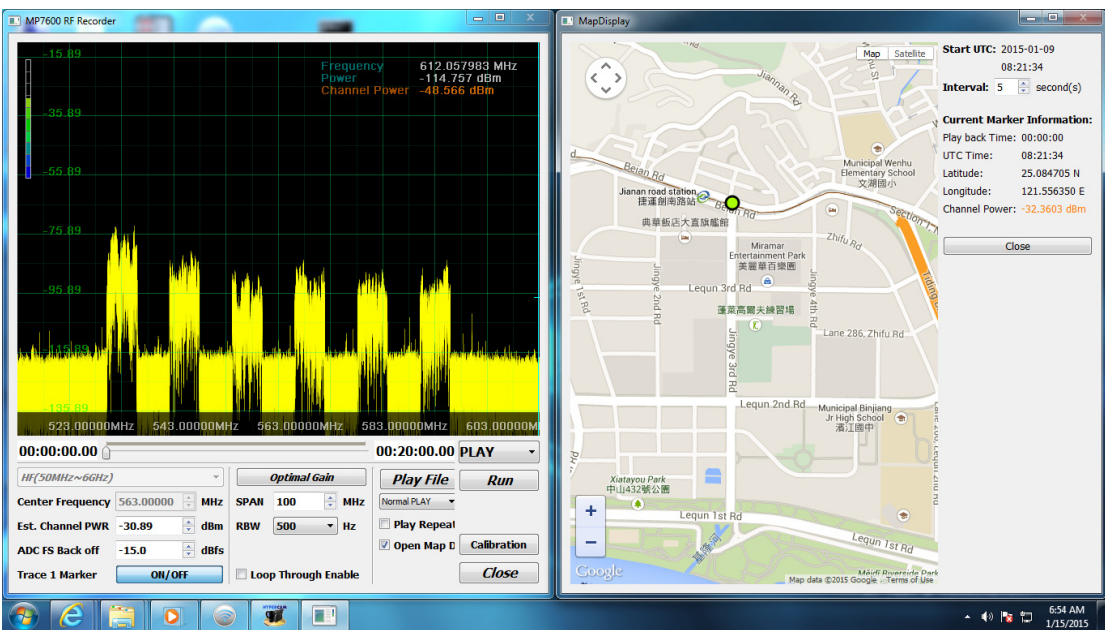


Loop Through Function

To inspect RF signal while recording

GPS

To record the RF signal position with G-mouse





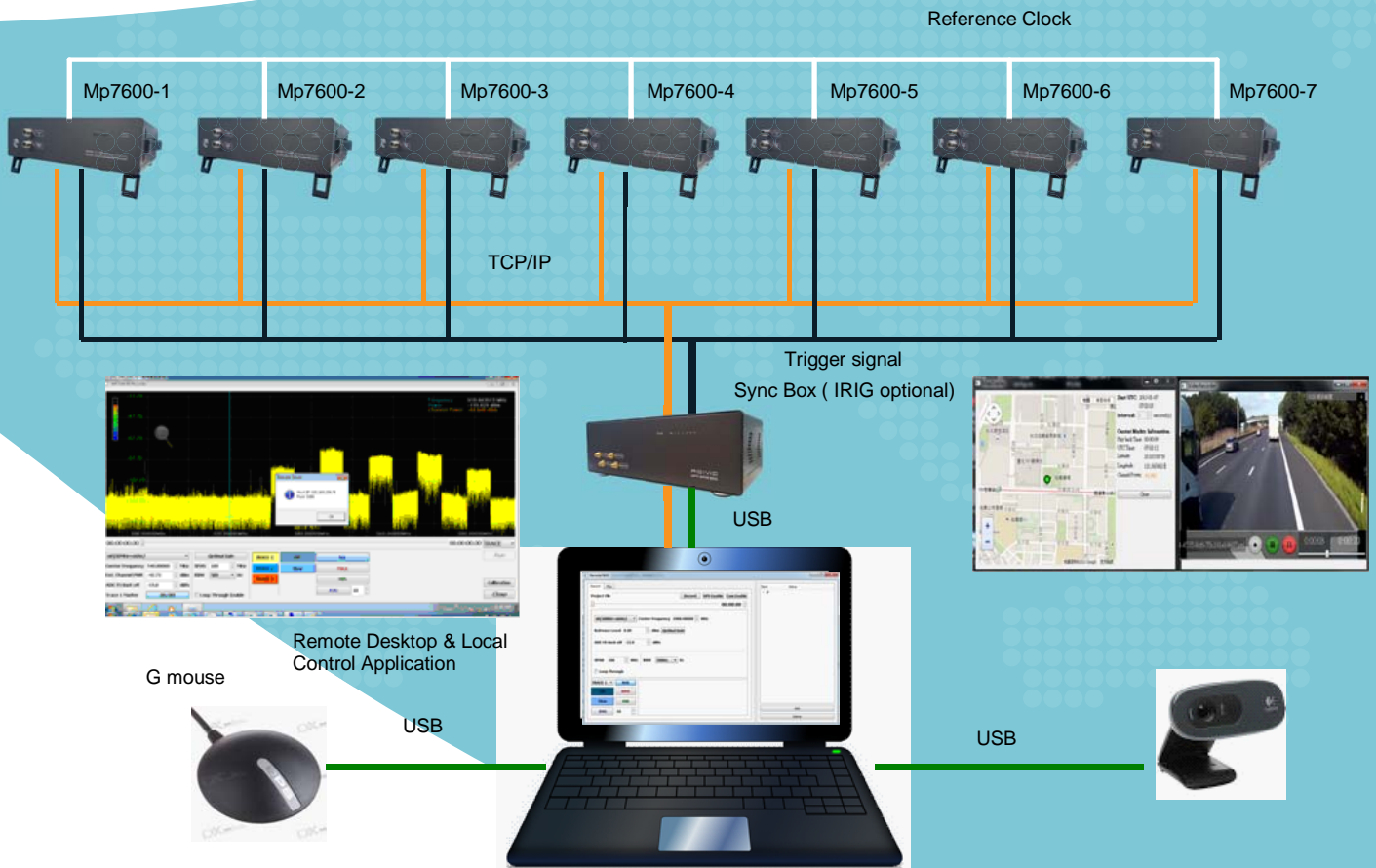
Camera

Can be used to generate a visual record of the rf capture area.

700MHz Wideband Recording

Allow the simultaneous recording and playback of 700MHz bandwidth.

Wideband : 100MHz X 7
Diversity : Antenna X 7



Copyright © 2007 ADIVIC Technology Corporation. All rights reserved.
All company and product names are trademarks or registered trademarks of their respective manufactures.
ADIVIC Technology Corporation reserves the right to change without notice

6F., No.345, Xinhu 2nd Rd., Neihu Dist., Taipei City 114, Taiwan
TEL: +886 2 2791 1718 FAX: +886 2 2791 1887 www.adivic.com

ADIVIC
— RF TEST & MEASUREMENT —